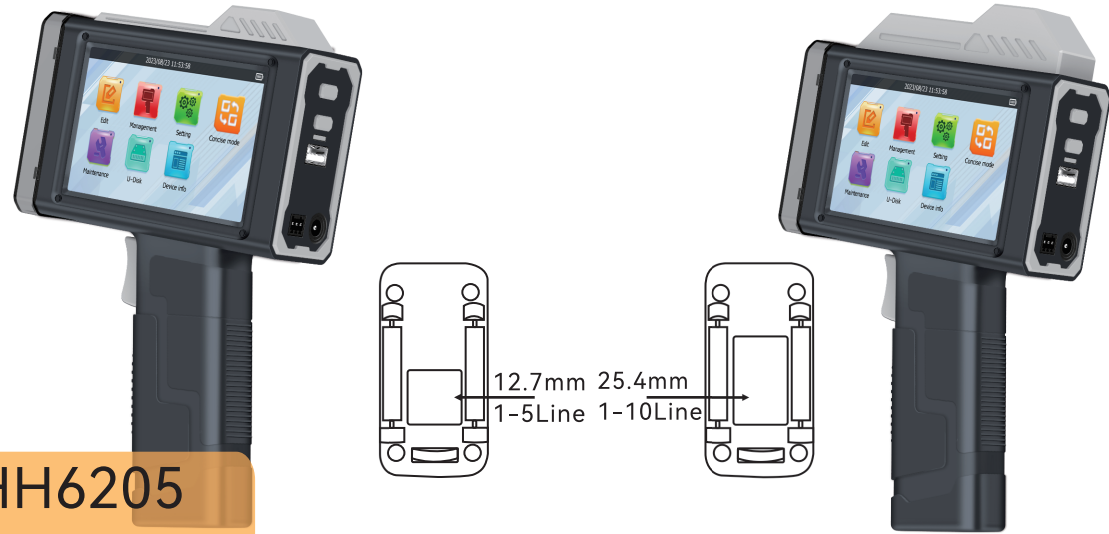




Single Head InkJet Coding Printers

Smooth, Reliable Coding and Ultra-Long Working Time



**BT-HH6205
/6210 Series**



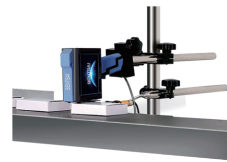
Lightweight and Compact size

Compact design, the whole machine weighs only 410g. Ultra flexible and smooth coding with built-in encoder design.



Optimized user interface, easy operation

Simple and intuitive user interface, fast to get started, no special training needed for usage.



Optional Manual and Inline auto coding

One printer for dual use. Take in hand for mobile coding and mount on production line for auto coding.



Detachable battery and up to 16 hours ultra long working

Removable and detachable battery inside. End users could replace the batteries conveniently.

Product Model	6205 Handheld Only 6205 handheld & Inline 6210 Handheld Only 6210 handheld & Inline	
Printing Technology	Thermal Inkjet (TIJ)	
Ink Throw Distance	2-5mm (Distance between nozzle plate and print object)	
Print Height	0.8mm-12.7mm (1-5 lines)	0.8mm-25.4mm (1-10 lines)
Optional Ink Cartridges	Water based (42ml*1): Black, Cyan, Magenta, Yellow Solvent Based (42ml*1): Black, Cyan, Magenta, Yellow, White, Green, Security	
Operation System	FreeRTOS system	
System Language	Chinese/English/German/Arabic/Spanish/Russian/Japanese/Korean/Italian/Portuguese/French/Hindi/Thai/Vietnamese/Persian/Turkish/Chinese Traditional/Indonesian/Slovenian/Serbo-Croatian/Czech/Bulgarian/Romanian/Polish/Greek/Hungarian/Ukrainian/Slovak/Burmese (Available languages vary for different regions)	
Display	4.3" High Definition Touch Screen	
Status Alarm	Green: Ready Blue: Printing Red: Alarm	
Print Applications	Text, Numbers, Images, Logos, 2D codes, Barcodes, Dates, Counter, Database etc.	
Printabel Material	Water based ink for porous and semi porous substrates: Paper/Corrugated box/Wooden/Fiberboard/Cotton etc. Solvent based ink for semi porous and non porous substrates: Plastic/Glass/Metal plates/Alu-foils/Cables etc.	
2D code Type	DataMatrix, QR	
Barcode Type	Code128, Code39, EAN8, EAN13, UPCA, ITF(2of5), UPCE	
Font Type	True type fonts, Dotmatrix fonts	
Resolution	300/600dpi	300dpi
Print Speed	30m/min (fastest at 300 dpi)	15m/min (fastest at 300 dpi)
Grey level	1-5	
Max. Print Size	12.7mm*406mm	25.4mm*406mm
Max. Pixel Size	150px*4800px	150px*4800px
External Ports	Handheld only: USB, Power adapte Handheld and Inline: USB, Power adapter and Photoelectric sensor	
Battery	2pcs 18650 lithium ion battery, 2600mAh each. Removable and Replaceble	
Standby Time	≥8 hours (working when screen off)	
Power Adapter	IN: AC100-240V, OUT: DC5V 2A(B), OUT: DC9V 2A(BL) IN: AC100-240V, OUT: DC5V 2A(6210B), OUT: DC9V 2A(6210BL)	
Working Environment	Equipment Storage Temperature: -20°C-55°C Working Temperature: 5°C-35°C (Best: 15°C-35°C) Humidity: 10%-80%	
Memory Size	128M	
Net Weight	410g	420g
Packaging Weight	1750g (Aluminum case)	1760g (Aluminum case)
Product Dimension	208*113*45mm	223*133*45mm
Packaging Dimension	275*115*250mm	